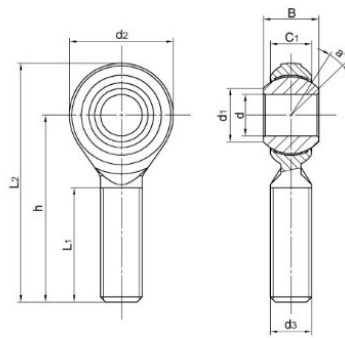


SPOS..EC Series



Обозначение подшипника	Dimensions mm									Ball Diameter	Load Rating (KN)		Macca ≈Kg
	d H7	B	C1	d1	d2	d3-6g	h	L1	L2		Dynamic Load	Static load	
SPOS5EC	5	8	6	7.7	16	M5	33	20	41	11.11	3.3	4.8	0.012
SPOS6EC	6	9	6.75	8.9	18	M6	36	22	45	12.7	4.7	6.8	0.019
SPOS8EC	8	12	9	10.3	22	M8	42	25	53	15.87	7.7	12.3	0.032
SPOS10EC	10	14	10.5	12.9	26	M10	48	29	61	19.05	10.4	17.3	0.054
SPOS12EC	12	16	12	15.4	30	M12	54	33	69	22.22	13.5	22.7	0.085
SPOS14EC	14	19	13.5	16.8	34	M14	60	36	77	25.4	17.2	28.2	0.126
SPOS16EC	16	21	15	19.3	38	M16	66	40	85	28.58	21	35.1	0.185
SPOS18EC	18	23	16.5	21.8	42	M18X1.5	72	44	93	31.75	25	43.2	0.26
SPOS20EC	20	25	18	24.3	46	M20x1.5	78	47	101	34.92	29.8	50.3	0.34
SPOS22EC	22	28	20	25.8	50	M22X1.5	84	51	109	38.1	36.2	63.9	0.435